

**/ zenn.**

**BERRY  ALLOC**



**Installation manual.**

**ZENN 30 - Rigid click with integrated underlay.**



# 01. Precautions.

## – be aware of the following

For a fast installation and a perfect result that fulfills the warranty conditions, we advise to follow the below mentioned installation instructions carefully. Please also refer to local regulations which may vary by country.

### usage

Zenn is flooring exclusively designed for domestic and commercial indoor usage.

Class 23/32: Zenn 30 Rigid Click is designed for:

- heavy domestic use: Bedrooms, living rooms, kitchens, entrances
- general commercial use: Classrooms, small offices, hotels, boutiques.

The largest recommended installation area depends on the room temperature.

- 5-25°C (Heating, Ventilation & A/C): 30x30m
- 5-40°C (normal): 15x15m

For larger areas, an expansion profile must be used.

The installation of the floor must be the final operation in the project, to avoid it being damaged in any way by other work. Always use dedicated and recommended accessories provided by BerryAlloc so as not to void the

guarantee and to achieve the best results. Accessories from foreign suppliers may not provide compatible quality or functions.

### transport & acclimatisation

Transport the boxes carefully on a flat surface. Never store the boxes upright. Keep the product in the box while acclimatising, in small piles, max. 5 boxes high. Store the boxes inside at the temperature conditions close to those of the planned usage (15-25°C). Do not leave the boxes in very cold, very warm or humid places.

It is important to store the boxes closed for 48 hours or at least until reaching the room temperature (15-25°C) before installation. This temperature should be maintained throughout the installation and for at least 24 hours after installation. Temperature fluctuation during installation will make the installation process more difficult.

*The installation of the floor must be the final operation in the project!*

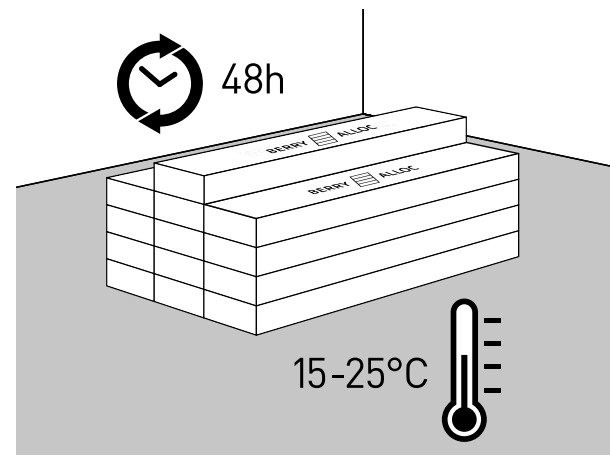
### underfloor heating

These products are compatible with underfloor heating, provided that the temperature on the surface of the floor covering does not exceed 27°C.

With electrical underfloor heating, we recommend not exceeding 60W/m<sup>2</sup>.

### underfloor cooling

These products can also be installed over floor cooling systems. However, the supply temperature of the cooling water must not be reduced to below the dew point temperature. If the temperature goes below this dew point, then condensation can cause damage to the floor. Thermostats in the room must never be set at a temperature that is more than 5°C lower than the room temperature.



# 02. Prepare the subfloor.

Careful subfloor preparation is essential for a good result. Roughness or unevenness in the subfloor (more than 3 mm per linear m) may telegraph through the new floor, resulting in an unsightly surface and causing excessive wear on high spots or indentation on lower spots.

In any case, the subfloor must be clean, even, dry and stable. Remove all traces of plaster, paint, glue, oil, grease, debris (including nails) etc. and vacuum. Remove soft floor coverings (such as carpet, needle felts, cushion vinyl etc.)

The planks and tiles can be installed on top of concrete, tiles, wood and most existing hard surface floor coverings. If there is any moisture present, carry out sealing (moisture barrier) before installation. Excessive moisture can generate mould or fungus.

Make sure floor level deviation is a maximum of 3 mm

per m and maximum 2 mm over a length of 20 cm. If the indicated deviation is exceeded, the subfloor must be evened out with a suitable filler or levelling compound, and a check must be carried out to determine if a sealer is needed.

If you are not certain about the quality or suitability of your subfloor, then contact your dealer, who will be more than happy to help you.

*The subfloor  
must be clean, even,  
dry and stable*



Specific preparation depending on the type of subfloor:

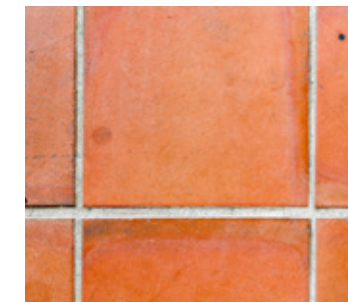
**concrete/  
screed subfloor**



**Let new concrete dry sufficiently.** The moisture content of the subfloor must be less than 75% RH at min. 20°C. Max 2% CM for cement and 0.5% for anhydrite.

In the case of underfloor heating, the moisture content should be less than 1.8 CM%, and 0.3 CM% for anhydrite. Always record and keep your moisture content results.

**tile  
subfloor**

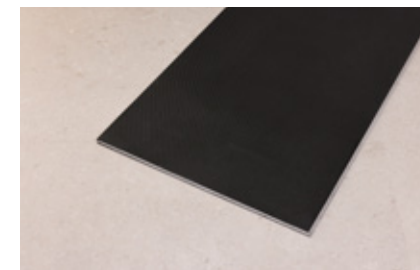


**Check the subfloor for moisture problems.** The joints of the new floor covering should never be aligned with the underlying tile joints. It is not necessary to fill the grouts of a subfloor comprised of ceramic tiles with joints when these do not exceed 5 mm in width. Bear in mind that some ceramic tiles may show rising edges/corners although the main level may be correct. These parts may telegraph through the floor covering in the future.

**wooden  
subfloor**



**Check the floor for insect infestations.** Make sure the subfloor is levelled and screw down any loose sections firmly. Wooden subfloors should always have access to air and should be ventilated at the edges. If there is any moisture in the wood-based subfloor or there is no proper moisture barrier below the wood-based subfloor, it must be removed first.



**underlay not needed**

As the ZENN 30 Rigid click has an integrated underlay, no additional underlay is allowed.



# 03. Installation.

## tools:

- trimming knife
- pencil
- T-square
- measurer
- spacers (wedges)

Saw/guillotine might allow for faster work. Wear gloves to protect your hands when cutting the planks/tiles.

Make sure identical batches are used, at least for every individual room/part.



Check all planks/tiles for visible defects in optimal light conditions, both before and during installation. planks/tiles with defects must not be used. Make sure that you mix panels from different boxes, in order to minimise shade variations. This will ensure a more natural looking floor. Do not install damaged planks/tiles. During installation, inspect the groove area and remove any debris that may prevent the proper assembly of the planks/tiles.

Zenn 30 Rigid click should be installed 'floating'. This means that there should be sufficient space (8 mm) between the floor and all walls or any fixed objects, so that the floor can move in any direction, i.e. it should not be screwed or nailed down to the subfloor. Kitchen cabinets must not be installed on top of any floating floor.

Prior to installation, decide in which direction you want to install the planks/tiles. Measure the room carefully to create a balanced layout and determine whether the first row should be narrowed or not. If the first row needs to be cut lengthwise, make sure that the minimum width is no less than 5 cm. Cut boards with a Stanley knife, décor side up.

Start with the installation of the floor in the corner of the room on your left hand side as you are looking at the wall. Always work from left to right and with the tongue facing towards you.

## installation of the first row

Place a suitable spacer 8 mm thick to the left and position the first plank tongue side facing the wall against the wall. Take a second plank and press the short end of the floorboard at an angle to the first one, and then lay it down. Continue to work from left to right. At the end of the first row, maintain an 8-mm space around all walls

and vertical objects and measure the length of the last plank to fit. Cut the last panel to the correct length. The recommended minimum length is twice the width of the plank. Planks/tiles are cut using a sharp utility knife and a square. Score the surface of the plank/tile with the knife and snap the plank/tile at the score line.



## installation of the second row

Position the remaining part of the last plank in the first row as first plank in the second row. The minimum distance between short ends of planks in parallel rows shall not be less than about twice the width of the plank (about 30 cm). Place the floorboard at an angle against the floorboard in the previous row, press forward and fold down at the same time. Leave the panel in a somewhat up-angled position where the panels start to lock. To make this even easier, a wedge with the suitable angle can be placed under the plank near the short side joint as support.



Place the short end of the floorboard at an angle against the previously installed floorboard and fold down all the way. Push to slide the plank against the row in front so it aligns with the first plank. Put it down as with the first plank when the floorboards are positioned tightly together. The first/previous plank can now be folded down completely to a horizontal position and, if a wedge is used, it can be moved to the next short end joint.

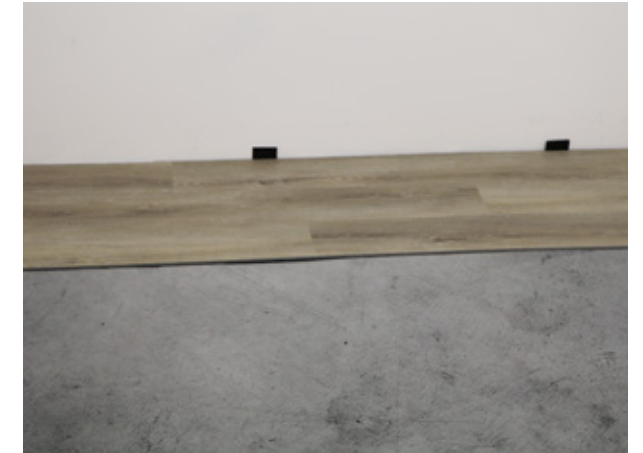


**Installing your Zenn floor will give you instant satisfaction, thanks to the ease of use and speed of installation.**



## next rows

After two rows you can adjust the distance to the front wall by placing 8-mm spacers. Keep the spacers in position during the entire time of installation and remove once the installation is completed.



## expansion profiles

### A T-profile is required when:

the length or width of the installation is above the recommended dimension, there is a construction joint in the building, there are different underfloor heating circles. An expansion gap of min. 8mm has to be respected around fixed structures as : doorframes, walls, door stop, built-in wardrobe, pipes, kitchen cabinets, ...

### Advice:

Separate the bathroom from the rest of the rooms with an expansion profile. T-profiles in doorways are recommended in case of high temperature difference (above 10°C) between 2 adjoining rooms.







## 04. Finishing your floor.

To give your floor the finishing touch, use our accessories: matching skirtings and profiles. Always keep the expansion gap in mind when installing your accessories.

**Never attach skirting boards directly onto the installed floor.** Permanent sealing products (acrylic or silicone) should never be used to seal up the gap between the floor covering and skirting boards/profiles. Joints on fixed building elements (door frames, heating pipes, etc.) should never be completely sealed with elastic filler. Filler twine should be used as a basis for filling expansion joints. Profiles, doorstops and suchlike should not be screwed through the floor covering into the subfloor.

For door frames, lay a panel face down next to the door frame. Undercut the door jamb, then slide the plank underneath the door jamb.

**Consider saving a few planks/tiles for any potential future repairs.**





# 05. Maintain your floor.

## doormats - soft, non-rubber casters - felt pads

To keep your floor in good condition, it is important to place **non-rubber backed doormats at all entrances**, to prevent dirt or grit on your floor. The use of doormats will eliminate abrasive particles driven by footwear and will reduce damage. Do not use rubber-backed mats, as long-lasting contact with rubber can cause permanent discolouration. Never place doormats on a wet floor.

Rolling office chairs, furniture legs, fitness appliances, etc. should be fitted with soft, non-rubber casters, to avoid permanent damage to your floor. Use a suitable desk mat.

We recommend the use of felt pads or protective feet for items that contain rubber, such as chair legs, furniture legs, fitness appliances, etc. Use specific protection under heavy/sharp furniture to avoid indentation.

**NB: the floor can become more slippery when is wet. Spots, marks and spillages should be wiped up as soon as possible. Do not use chlorinated solvents. Never use wax or varnish coating. Never use maintenance products that contain wax or oil. Never use a steam mop.**

## cleaning

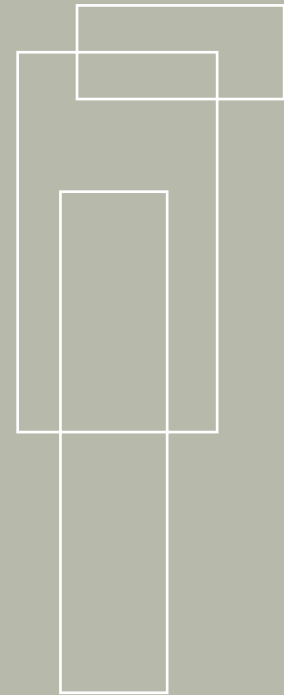
### initial Cleaning

First remove all dirt and dust from the flooring with a brush or vacuum cleaner. Then clean with water and an appropriate neutral cleaning agent, at least twice and until the water stays clean. **We strongly recommend using BerryAlloc Vinyl Planks cleaner & PU protector.** Any other cleaning product may contain agents that damage resilient floor surfaces. The coating of the top-layer makes a specific treatment after installation unnecessary.

### Regular cleaning instructions

Vacuum or wet mop. As required, use a solution of clean water and mild detergent or domestic floor cleaning emulsion. We strongly recommend using BerryAlloc Vinyl Planks cleaning products, as other products may damage your flooring surface. **Do not flood the floor or leave a puddle of water on the floor.** Rinse thoroughly and soak up residual water.





## legal information

This document presents the general installation instructions, based on the latest available information. For the best result, and to ensure the validity of the guarantee, these instructions should be followed carefully.

This document replaces all previous versions and is valid until further notice.

This information is a representation of the technical know-how at the time that this document was produced/published and may be amended, complemented or replaced at any time.

Please check the following website frequently for updates: [www.berryalloc.com](http://www.berryalloc.com)

Scan the QR code and view the online installation video for your floor.



↪ *For click  
installation.*

**BERRY**  **ALLOC**

**BerryAlloc**

Industrielaan 100

8930 Menen – Belgium

T +32 56 67 66 11

[info@berryalloc.com](mailto:info@berryalloc.com)

**[berryalloc.com](http://berryalloc.com)**